

Z-Busbar Range

777-Z10W-200 10 Way, Z-Busbar, 2x 200A
777-Z18W-200 18 Way, Z-Busbar, 2x 200A

Modular

Z18W-1.5x

Z10W-1.0x 0.5x

Footprint



Features & Benefits:

- Modular sizing and common interconnection height: Easily linked with other Pro Installer Busbars and Fuseholders to save installation time and space
- Compact footprint saves space
- Clean installation—all cables can be run from one side of the Z-bar
- Innovative clear covers insulate/protect on three sides, with “snap outs” for extra cable access as required
- Label recess on cover allows fitting up to 1/2” width (12.7mm) printed labels from handheld label printers
- Insert moulded studs offer superior mechanical strength
- Designed for the harsh marine environment
- Scalable: Link additional Z-bars together for extra capacity

Specifications:

- 4x 6mm (1/4”) studs
- 10, or 18 x 4mm (5/32”) terminals with captive lock washers
- 200A maximum per bar (2x 200A)
- 50 VDC
- High temperature, fibre reinforced plastic base provides strength and chemical resistance
- Clear polycarbonate cover
- Tinned CDA102 copper conductors, stainless steel studs, screws, and nuts for longevity in the marine environment
- All threads are metric
- Studs have anti-seize lubrication applied to prevent thread galling

9. To remove snap-out sections of cover for additional cable access

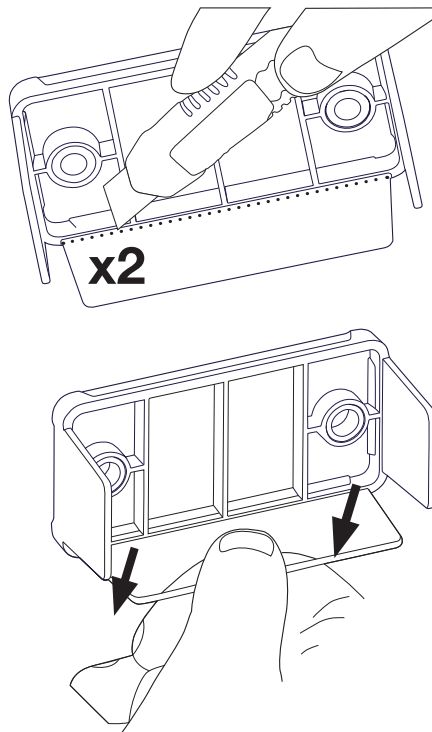
- Use a sharp knife to scratch/score twice along the snap-off line

BEWARE: PLEASE TAKE CARE WITH CRAFT KNIVES

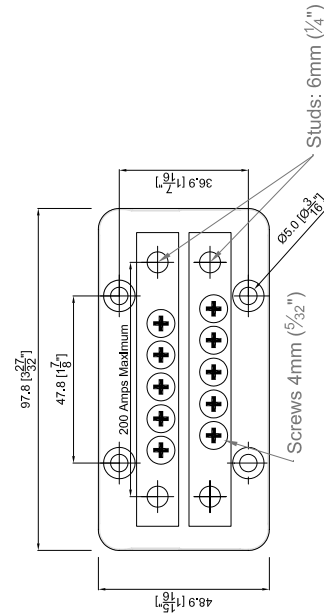
- Then snap-off section to be removed (Bend both ways).

10. Fit Cover

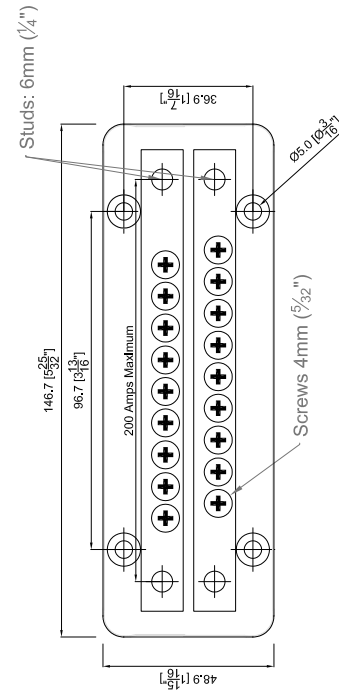
11. Ensure that cables are securely fastened and strain relieved as per ABYC/ISO or other applicable standards



10 Way Z-Bar



18 Way Z-Bar

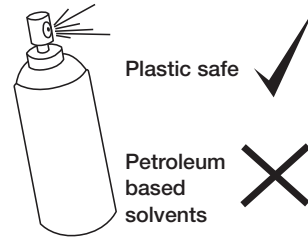


Product	Dimensions (mm)	Dimensions (Inches)	Weight (Grams)	Weight (oz)
10 Way Z-Bar	98 x 49 x 51mm	3.9" x 1.9" x 2.0"	203g	7.2 oz
18 Way Z-Bar	147 x 49 x 51mm	5.8" x 1.9" x 2.0"	280g	9.9 oz

INST-777-B2

IMPORTANT! Read before installing

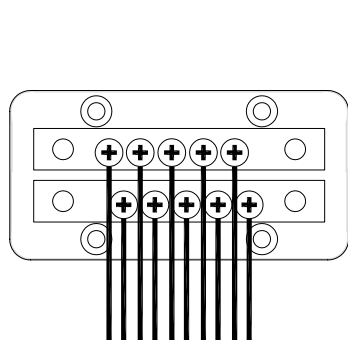
- Use only "plastic safe" corrosion inhibiting sprays. Do not wipe solvents/petrochemicals onto the clear polycarbonate covers. These chemicals can affect the plastic, resulting in deteriorated properties such as opacity, and brittleness
- Ensure all cables are sized correctly for the loads they carry. Please refer to the BEP website (www.bepmarine.com) to calculate correct cable sizes



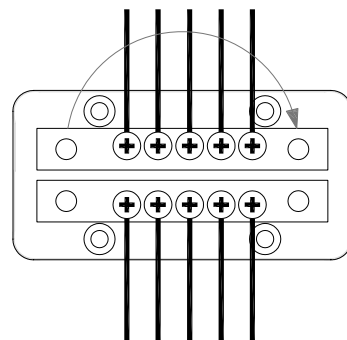
- Ensure electrical connections are correctly tightened! Loose, high power connections are capable of damaging equipment or starting fires. See torque figures on facing page, alternatively use a ring spanner of the correct size and tighten until firm

Installation Options:

- Standard:** upper and lower bars connected with Z-Link
- Separated:** No Z-Link used, upper and lower bars are isolated e.g. positive and negative
- Choice of cable entry:** For cable entry from both sides (cables to low bar from one side, to high bar from opposite side), turn the upper bar around first
 - Remove nuts on upper bar
 - Remove Z-Link if fitted
 - Remove upper bar, rotate 180 degrees, and refit
 - Replace/retighten nuts and Z-Link
 - Score with cutter, and remove snap-off skirt from cover (see back page)



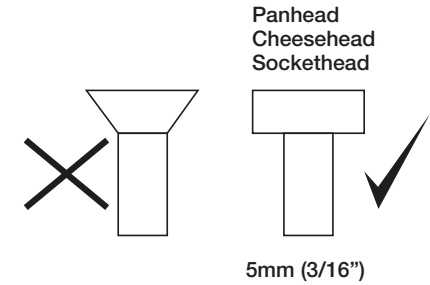
Cable Entry Same Side



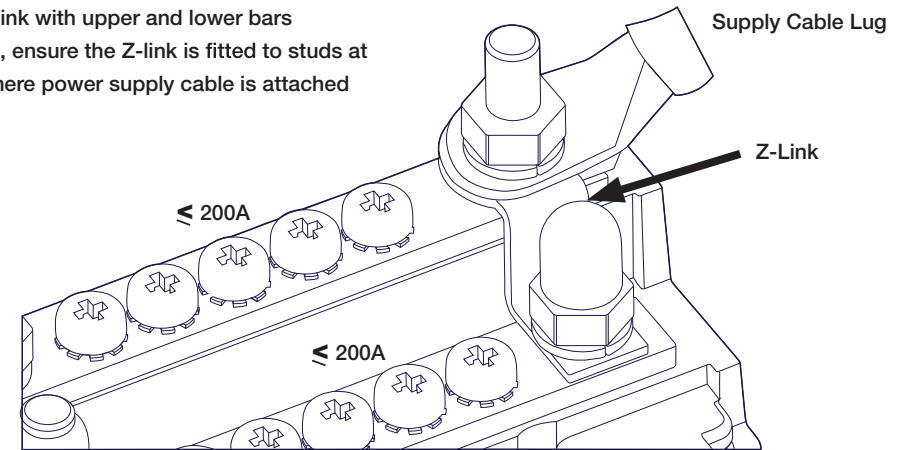
Cable Entry Both Sides
(Rotate Top Bar 180°)

Installation Instructions:

- Choose mounting location in dry, interior location
- Select screws for mounting, 5mm (3/16"). Use only panhead or similar screws
- Screw busbar into chosen location



- If using Z-link with upper and lower bars connected, ensure the Z-link is fitted to studs at the end where power supply cable is attached



- If using upper and lower bars isolated (no Z-link), fit lower bar stud connections first, then ensure that insulating caps are replaced before fitting power supply to the upper bar
- Ensure that spring washers are in place beneath cable retaining nuts
- Recommended and maximum torques:**
 - 6mm (1/4") studs: 6.0 Nm (4.4 lbf)
 - 4mm (5/32") screws: 1.5Nm (1.1 lbf)
- Ensure all four stud nuts are tight, as they secure the individual busbars

